



Setup and Users Manual

USB Analog Resistive Touch Screen Controller Board
48-B-5-06

Telephone: 1.512.832.8292
Toll Free: 877.832.8292
Fax: 1.512.832.8291
sales@touchintl.com
support@touchintl.com
www.touchinternational.com

1. PRODUCTS OUTLINE

1-1. Scope of Application

This specification is to apply to the analog resistive touch screen controller 48-B-5-06 series.

48-B-5-06 series	Outline
	The connector which TOUCH INTERNATIONAL specified as the host interface is mounted. B type connector of USB standard is mounted. EEPROM is mounted on 48-B-5-06.
48-B-5-07	EEPROM is mounted on 48-B-5-06.

1-2. Outline

48-B-5-06 and 48-B-5-07 are an analog touch screen controller board, which supports A/D conversion for an analog signal of the touch screen to coordinate data in 10 bits resolution and transmits it to PC via USB interface. 48-B-5-06 and 48-B-5-07 executes calibrations properly to acquire reliable coordinate data to transmit data to PC even under unstable input condition for the touch screen such as intermittent interruption. The point mode can be also selected to output coordinates data only when the touch screen is activated, depending on applications. TOUCH INTERNATIONAL driver software supports mouse emulation.

2. SPECIFICATIONS

General Specifications

Description		Rating	Note
Operating Temperature Range		0°C to +70°C (no condensation)	
Storage Temperature Range		-20°C to +85°C (no condensation)	
Power Supply Voltage		DC 4.4V to 5.25V	Bus power
Power Consumption		60mA	Vin=5.0V, 150pps when touch screen is activated
Transmission System	Transfer Mode	USB V1.1 Low Speed	
		Control Transfer (Command)	
		Interrupt Transfer (Coordinate)	
Device Class		Vendor definition	TOUCH INTERNATIONAL driver software is required
Operating Frequency		6MHz	6MHzfixed
Dimension		30 x 40 (mm)	
Max height of components		5.4mm	
		11mm	With CN3 (USB B type)
		(2mm)	With EEPROM (back side)

Performance Specifications

Description	Rating	Note
Coordinate Output Rate (point/sec)	(1) point mode (2) 30p/s (3) 50p/s (4) 80p/s (5) 100p/s (6) 130p/s (7) 150p/s	Default: 150pps with TOUCH INTERNATIONAL original driver software.
Coordinate Resolution	10bit (1024 x 1024)	The value will be lower in the active area of the touch screen
Linearity Error	±3 LSB	
Input Response Time	10.5ms	Maximum value at 150pps

3. PANEL ID SETTING

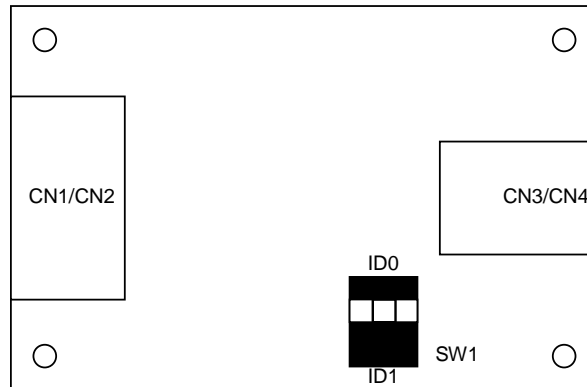
If two touch screens to the same host are connected simultaneously, each 48-B-5-06 and 48-B-5-07 to the host needs panel ID setting. Setting is enabled when hardware is reset, where Device Descriptor's iProduct is set to "0" or "1" and this value is identified by the host as panel ID.

This is performed by setting it as ID0 or ID1 by SW1 on a board.

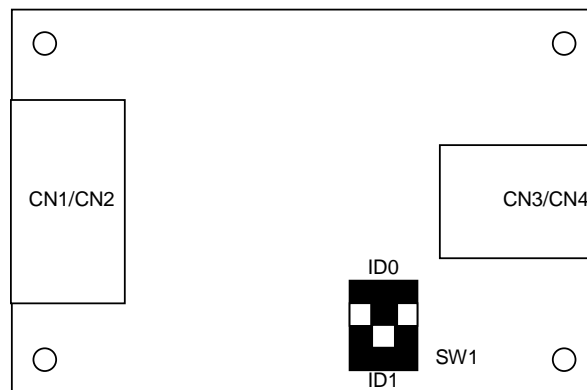
When we ship this product, the panel ID is set as "0". If two touch screens to the same host are connected simultaneously, you have to set ID as "1" about one of 48-B-5-06series.

The condition of SW1 on a board.

(1) Setting ID as "0".



(2) Setting ID as "1".



4. CONNECTOR TERMINAL ASSIGNMENT

4-1. Connector terminal assignment.

CN No.	Pin#	Terminal	Description
CN1	1	UR	Touch screen UR input
	2	LR	Touch screen LR input
	3	Sense	Coordinate detection
	4	UL	Touch screen UL input
	5	LL	Touch screen LL input
CN2	1	UR	Touch screen UR input
	2	LR	Touch screen LR input
	3	Sense	Coordinate detection
	4	UL	Touch screen UL input
	5	LL	Touch screen LL input
CN3	1	Vbus	USB power input
	2	D-	USB D-
	3	D+	USB D+
	4	GND	USB GND
CN4	1	Vbus	USB power input
	2	D-	USB D-
	3	D+	USB D+
	4	GND	USB GND
	5	FG	USB FG

4-2. Mounted connector.

CN No.	Part No.	Manufacturer	Applicable model
CN1	RE-H052SD-1110	J.S.T. Mfg Co., Ltd	All models
CN3	UBB-4R-D10T-1	J.S.T. Mfg Co., Ltd	48-B-5-06-B(-E)*1
CN4	S5B-PH-K-S	J.S.T. Mfg Co., Ltd	48-B-5-06(-E)*1

*1 Either CN3 or CN4 is mounted.

5. Operation modes and functions

5-1. Outline

ICenters the Initialization mode immediately after it is turned on or reset. In this mode, no setting is made and each mode shall be set. To transition to the available state, select the coordinate output rate and coordinate output mode and set the operation mode.

§ Initialization mode

By either power supply ON or hardware reset/software reset, the internal initial setting is performed. In the serial scheme, communication with host is available. In USB scheme, device recognition process ends. In this mode, both serial and USB schemes receive a coordinate output rate command and transition to the idle mode.

After hardware reset, it takes 500ms to transition to the initialization mode.
In using the EEPROM, EEPROM data is read in this mode.

§ Idle mode

ICenters this operation waiting mode after the coordinate output rate setting command is received. Transition to each mode takes place in this mode.

§ Coordinate data mode

In this mode, analog data obtained from touch screen is output as coordinate data with 10 bits resolution without any calibration.

This mode starts in the "idle mode" by receiving the coordinate data send start command, and returns to "idle mode" again after receiving the coordinate data send end command. By receiving reset command, it transitions to the "initialization mode".

This mode is used when host driver implements the calibration function, and also when necessary data is obtained in the calibration data setup mode.

§ Calibration data setup mode

In this mode, calibration data used in "calibration data mode" is set. Transition to this mode takes place when the setup mode start command is received in the idle mode. Select an appropriate calibration point among:

- X=2, Y=2 (four point calibration)
- X=3, Y=3 (nine point calibration) and
- X=2, Y=2 (four point calibration) plus one center position (five point calibration)

When this mode ends, calibration data is entered to EEPROM.

§ Calibration data read mode

In this mode, setup data is read out from EEPROM if in using EEPROM, data set in the "calibration data setup mode" is stored to EEPROM. It is used if setting data is to be confirmed. Transition to this mode takes place and calibration data is output to the host if in the idle mode, calibration data read command is received.

§ Calibration data mode

In this mode, individual difference and loss in the touch screen are corrected and coordinate value output is performed. Using calibration data set in the "calibration data setup mode", touch screen input point and indicator's cursor display position can be matched.

In using this mode, the host driver needs no calibration function.

Using "calibration data setup mode" setting value to set the coordinate data maximum value, maximum value can be limited to 10bits or less.

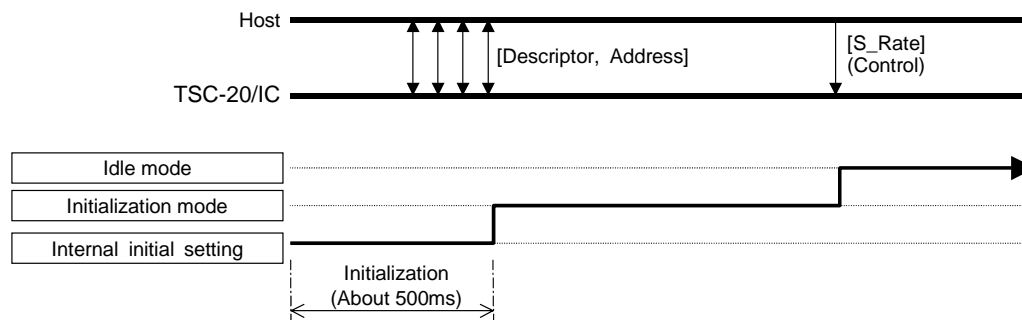
This mode starts when in the idle mode, any "calibration data send start command" is received, and returns to the idle mode when receiving the calibration data send end command. When receiving the reset command, this mode transitions to the initialization mode.

5-2. Initialization mode and idle mode

After the power up or hardware reset, internal initialization setting is performed (in USB mode, setting Descriptor and Address with host) (about 500ms) and the transition to the initialization mode occurs, where waiting for the communication with host. In this mode, if external EEPROM is used, EEPROM data is read. In the initialization mode, use the coordinate output rate setting command to set the interval for sending a coordinate. Where, touch screen connection state and EEPROM data are checked and in either normal or abnormal case, data representing each state is output to the host. Thus, the initialization mode transitions to the idle mode. Transition to each mode occurs from the idle mode. Once coordinate output rate is set with transition to the idle mode, coordinate output rate setting may be available again.

If in either idle mode, coordinate data mode or calibration data mode, reset command is received, transition to the initialization mode occurs. Where, after receiving the reset command, internal processing takes a time, be sure to issue subsequent commands after 6ms or more is elapsed.

§ Mode transition



§ USB Device Descriptor

Offset address	Field name	Bit Width	Contents	Remarks
8	idVendor	2 bytes	0AFAh	
10	idProduct	2 bytes	03E8h	
15	iProduct	1 bytes	00h:panel ID=0 01h:panel ID=1	Pin number 3 of IC[SEL1] L: panel ID=0 , H: panel ID=1

§ Coordinate output rate setting command (Rate)

Rate	bmRequest Type	bRequest	wValue	wIndex	wLength	Data
30	C0h (IN)	05h	0040h	0000h	0002h	0600h/15##h*
50	C0h (IN)	05h	0041h	0000h	0002h	0600h/15##h*
80	C0h (IN)	05h	0042h	0000h	0002h	0600h/15##h*
100	C0h (IN)	05h	0043h	0000h	0002h	0600h/15##h*
130	C0h (IN)	05h	0044h	0000h	0002h	0600h/15##h*
150	C0h (IN)	05h	0045h	0000h	0002h	0600h/15##h*
Point	C0h (IN)	05h	0050h	0000h	0002h	0600h/15##h*

#: Differs per error type.

*: Refer to the response command (no EEPROM is used) and response command (EEPROM is used).

§ Response command (no EEPROM is used)

State	Response command	Byte width	State description
Normal	0600h	2 bytes	Touch screen connection normal
Abnormal	1500h	2 bytes	Touch screen not connected

§ Response command (EEPROM is used)

State	Response data	Byte width	State description
Normal	0600h	2 bytes	Touch screen connection, EEPROM data normal
Abnormal	1501h	2 bytes	EEPROM data empty
	1502h		EEPROM data abnormal
	1504h		EEPROM write error
	1508h		Touch screen not connected

* If, in the initialization mode, coordinate output rate setting is performed, EEPROM is checked if data is present or not. Thus, error code only refers to EEPROM data empty (detail code: 01h). In the idle mode, run the calibration data setup mode. After EEPROM data abnormal or EEPROM write error occurs, set the coordinate output rate, error code is output, indicating EEPROM data abnormal or EEPROM write error. Error flag can be deleted by either hardware reset or software reset.

5-3. Coordinate data mode

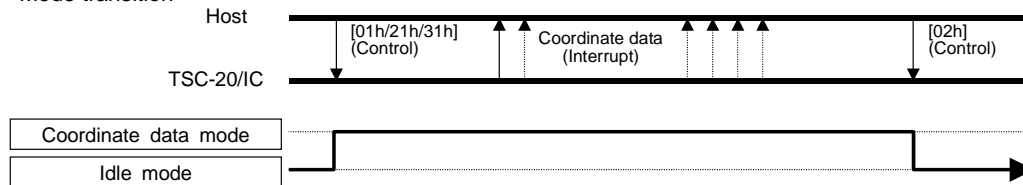
Analog data input from analog touch screen is A/D converted for calculating the coordinate data, which is output in this mode.

This mode is used if calibration is made in the host driver. In using the external EEPROM in the calibration data mode, previously performed "calibration data setup mode" needs raw data, which is obtained in this mode.

From the idle mode, this mode starts by receiving either command of coordinate data send start 1 – 3, and returns to the idle mode by receiving the coordinate data send end command. By receiving "reset" command, the mode transition to the initialization mode.

At the touch screen input (when a finger or pen touches on the touch screen), coordinate data, including pen-down ID indicating that touch screen is input, is output to the host with coordinate output rate interval. If the touch screen input ends (when a finger or pen leaves the touch screen), coordinate data including pen-up ID is output (excluding the point mode).

§ Mode transition



§ Command

Mode	bmRequest Type	bRequest	wValue	wIndex	wLength	Data
Coordinate data send start 1	40h (OUT)	01h	0000h	0000h	0000h	-
Coordinate data send start 2	40h (OUT)	21h	0000h	0000h	0000h	-
Coordinate data send start 3	40h (OUT)	31h	0000h	0000h	0000h	-
Coordinate data send end	C0h (IN)	02h	0000h	0000h	0002h	0600h

§ Each mode function

Mode	Function
Coordinate data send start 1	Pen-down: Coordinate data including pen-down ID is output with the coordinate output rate interval. Pen-up: Pen-up ID is output one time. No input: No transition to the power-save mode.
Coordinate data send start 2	Pen-down: Coordinate data including pen-down ID is output with the coordinate output rate interval. Pen-up: Coordinate data including pen-up ID is output with the coordinate output rate interval. No input: No transition to the power-save mode.
Coordinate data send start 3	Pen-down: Coordinate data including pen-down ID is output with the coordinate output rate interval. Pen-up: Pen-up ID is output one time. No input: No transition to the power-save mode.
Coordinate data send end	Coordinate data mode ends and transition to the idle mode occurs.

§ Coordinate format

Pen-down data

	Meaning	b7	b6	b5	b4	b3	b2	b1	b0
Byte 0	Pen Down ID	SW0	SW1	0	1	0	0	0	1
Byte 1	X Lower	X7	X6	X5	X4	X3	X2	X1	X0
Byte 2	X Upper	0	0	0	0	0	0	X9	X8
Byte 3	Y Lower	Y7	Y6	Y5	Y4	Y3	Y2	Y1	Y0
Byte 4	Y Upper	0	0	0	0	0	0	Y9	Y8

Pen-up data

	Meaning	b7	b6	b5	b4	b3	b2	b1	b0
Byte 0	Pen Up ID	SW0	SW1	0	1	0	0	0	0
Byte 1	X Lower	X7	X6	X5	X4	X3	X2	X1	X0
Byte 2	X Upper	0	0	0	0	0	0	X9	X8
Byte 3	Y Lower	Y7	Y6	Y5	Y4	Y3	Y2	Y1	Y0
Byte 4	Y Upper	0	0	0	0	0	0	Y9	Y8

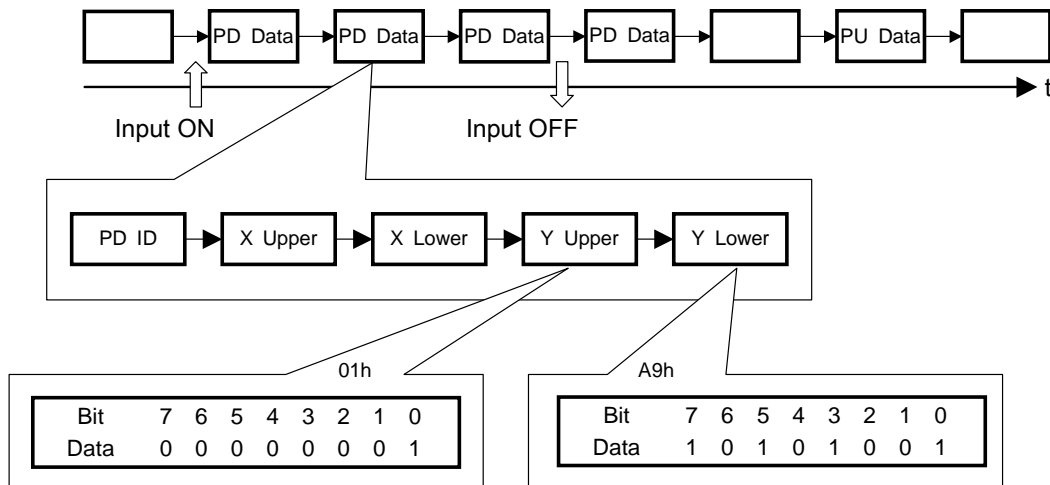
List of Pen-down ID (pen-down data Byte 0)

ID	SW0	SW1
11h	0	0
51h	0	1
91h	1	0
D1h	1	1

List of pen-up ID (pen-up data Byte 0)

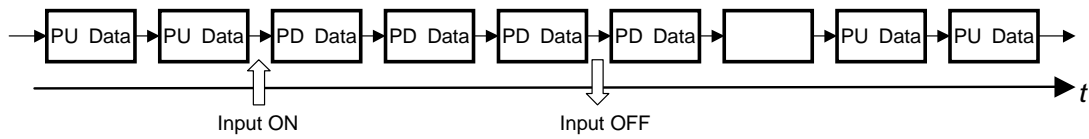
ID	SW0	SW1
10h	0	0
50h	0	1
90h	1	0
D0h	1	1

§ Example of data (transmission starts at receiving [01h] or [31h]) (Where, X = 0374h and Y = 01A9h)



Immediately after Pen-up, if the first sampling is pen-up, immediately preceding pen-down data is output. If second time sampling is pen-up, none is output. If third time sampling is pen-up, pen-up data is output once.

§ Example of data (transmission starts at receiving [21h])



*: Immediately after Pen-up, if the first sampling is pen-up, immediately preceding pen-down data is output. If second time sampling is pen-up, none is output. If third time sampling is pen-up, pen-up data is output. Thereafter, pen-up data is output at the coordinate output rate interval. Coordinate value at pen-up always takes same coordinate value as the last pen-down data. After the coordinate data mode transition until the first pen-down, 0000h is output.

5-4. Calibration data setup mode

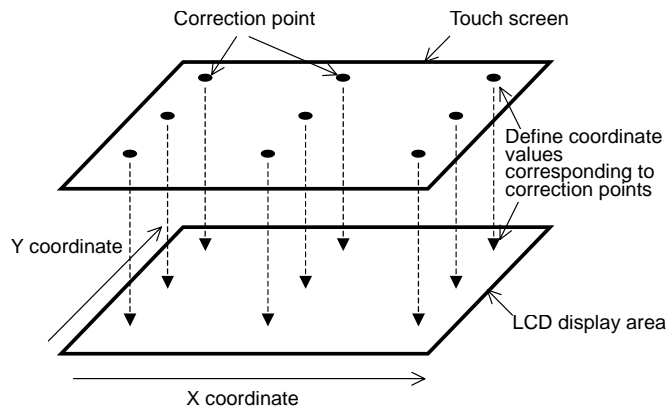
On the touch screen, due to offset and rotation caused by shifted pasting on touch screen and elements such as losses from surrounding circuit, touch screen input point and indicator coordinate indication may be unmatched with each other if A/D conversion value is output as coordinate value.

To resolve this, IC defines in advance any point on touch screen as a calibration point, where the calibration point's raw coordinate (A/D conversion value) and calibration coordinate value to be output to the host after calibration, and in the actual operation, from defined coordinate value, corresponding calibration coordinate value of touch screen input point's raw coordinate is calculated and output to the host (calibration data mode). In this mode, data required for calibration is set up. Number of maximum calibration points is nine in total with X = 3 and Y = 3.

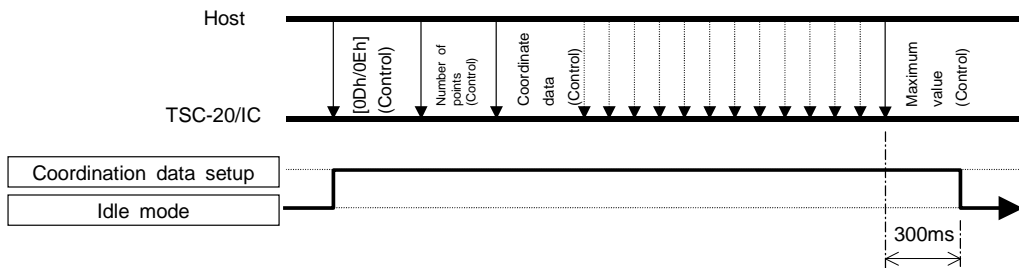
For setup in this mode, coordinates of calibration points in the coordinate data mode shall be obtained in advance.

By receiving setup mode start command in the idle mode, the operation transitions to this mode and after setup processing ends, data corresponding to the normal end or abnormal end is output to the host, then the operation returns to the idle mode.

If the external EEPROM is used, this processing writes data to EEPROM.



§ Mode transition



* Within 300ms after the last data (calibration data maximum value) is received and until the transition to the idle mode occurs, no command reception is available.

§ Command

Mode	bmRequest Type	bRequest	wValue	wIndex	wLength	Data
Setup mode start 1	C0h (IN)	0Dh	0000h	0000h	0002h	0600h/150#h
Setup mode start 2	C0h (IN)	0Eh	0000h	0000h	0002h	0600h/150#h

#: Refer to the response command.

§ Function

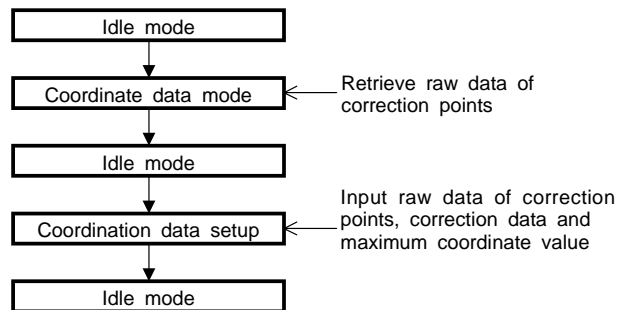
Mode	Function
Setup mode start 1	Normal calibration (Specify the number of calibration points in X and Y each)
Setup mode start 2	Five point calibration (four points at touch screen's 4 corners and one point at the center)

§ Response command

State	Response command	Bit width	State description
Normal	06h + 00h	2 bytes	EEPROM write normal
Abnormal	15h (NAK) + detail code	2 bytes	EEPROM data abnormal EEPROM write error
	bit1=1 (02h)		
	bit2=1 (04h)		

§ Setup procedure

1. Define calibration point and number of calibration points and display a cross mark and arrow on indicator to obtain coordinate values at the calibration point in the coordinate data mode.
2. Transmit command[0Dh/0Eh] transition to "calibration data setup mode", and input data according to the calibration data setting format. After all data are input, ACK/NAK is output to the host and the operation automatically transitions to the idle mode.



§ Calibration data setting format

Setup mode start 1 (calibration point: nine points (X=3, Y=3), where coordinate maximum value: X=1023 and Y=1023)

Correction point (origin: top left)

P00	P01	P02
P10	P11	P12
P20	P21	P22

Off Set	bmRequest Type	bRequest	wValue	wIndex	wLength	Data
0	C0h	0Dh	0303h	0000h	0002h	0600h/150#h
1	C0h	0Dh	P00 X Raw	0000h	0002h	0600h/150#h
2	C0h	0Dh	P00 Y Raw	0000h	0002h	0600h/150#h
3	C0h	0Dh	P00 X Cal	0000h	0002h	0600h/150#h
4	C0h	0Dh	P00 Y Cal	0000h	0002h	0600h/150#h
5	C0h	0Dh	P01 X Raw	0000h	0002h	0600h/150#h
6	C0h	0Dh	P01 Y Raw	0000h	0002h	0600h/150#h
7	C0h	0Dh	P01 X Cal	0000h	0002h	0600h/150#h
8	C0h	0Dh	P01 Y Cal	0000h	0002h	0600h/150#h
9	C0h	0Dh	P02 X Raw	0000h	0002h	0600h/150#h
10	C0h	0Dh	P02 Y Raw	0000h	0002h	0600h/150#h
11	C0h	0Dh	P02 X Cal	0000h	0002h	0600h/150#h
12	C0h	0Dh	P02 Y Cal	0000h	0002h	0600h/150#h
13	C0h	0Dh	P10 X Raw	0000h	0002h	0600h/150#h
14	C0h	0Dh	P10 Y Raw	0000h	0002h	0600h/150#h
15	C0h	0Dh	P10 X Cal	0000h	0002h	0600h/150#h
16	C0h	0Dh	P10 Y Cal	0000h	0002h	0600h/150#h
33	C0h	0Dh	P22 X Raw	0000h	0002h	0600h/150#h
34	C0h	0Dh	P22 Y Raw	0000h	0002h	0600h/150#h
35	C0h	0Dh	P22 X Cal	0000h	0002h	0600h/150#h
36	C0h	0Dh	P22 Y Cal	0000h	0002h	0600h/150#h
37	C0h	0Dh	03FFh	0000h	0002h	0600h/150#h
38	C0h	0Dh	03FFh	0000h	0002h	0600h/150#h

Error output conditions:

State	Errors	Output conditions
Abnormal	Data abnormal (number of calibration points: 1 or less)	With Off Set 0, 1502h is output and subsequently same data is output
	Data abnormal (number of calibration points: 4 or more)	When calibration of 5x5 points ends, 1502 is output.
	Data abnormal (coordinate data error)	With Off Set 38 (when all calibration ends), 1502h is output
	Write error	With Off Set 38 (when all calibration ends), 1504h is output.
Normal	Normal	For all responses, 0600h is output.

P00 X Raw: P00 X coordinate values in the coordinate data mode.

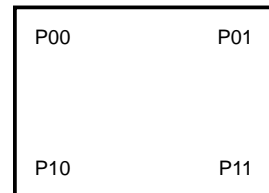
P22 Y Cal: P22 Calibration coordinate value in Y coordinate.

Off Set 37: Maximum X coordinate value.

Off Set 38: Maximum Y coordinate value.

Setup mode start 1 (calibration point: four points (X=2, Y=2), where coordinate maximum value X=511, Y=511)

Correction point (origin: top left)

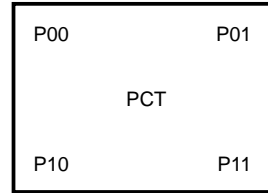


Off Set	bmRequest Type	bRequest	wValue	wIndex	wLength	Data
0	C0h	0Dh	0202h	0000h	0002h	0600h/1500h
1	C0h	0Dh	P00 X Raw	0000h	0002h	0600h/1500h
2	C0h	0Dh	P00 Y Raw	0000h	0002h	0600h/1500h
3	C0h	0Dh	P00 X Cal	0000h	0002h	0600h/1500h
4	C0h	0Dh	P00 Y Cal	0000h	0002h	0600h/1500h
5	C0h	0Dh	P01 X Raw	0000h	0002h	0600h/1500h
6	C0h	0Dh	P01 Y Raw	0000h	0002h	0600h/1500h
7	C0h	0Dh	P01 X Cal	0000h	0002h	0600h/1500h
8	C0h	0Dh	P01 Y Cal	0000h	0002h	0600h/1500h
9	C0h	0Dh	P10 X Raw	0000h	0002h	0600h/1500h
10	C0h	0Dh	P10 Y Raw	0000h	0002h	0600h/1500h
11	C0h	0Dh	P10 X Cal	0000h	0002h	0600h/1500h
12	C0h	0Dh	P10 Y Cal	0000h	0002h	0600h/1500h
13	C0h	0Dh	P11 X Raw	0000h	0002h	0600h/1500h
14	C0h	0Dh	P11 Y Raw	0000h	0002h	0600h/1500h
15	C0h	0Dh	P11 X Cal	0000h	0002h	0600h/1500h
16	C0h	0Dh	P11 Y Cal	0000h	0002h	0600h/1500h
17	C0h	0Dh	01FFh	0000h	0002h	0600h/1500h
18	C0h	0Dh	01FFh	0000h	0002h	0600h/1500h

Setup mode start 2 (where coordinate maximum value X=1023 and Y=1023)

* Stored in EEPROM by conversion into 3x3 format.

Correction point (origin: top left)

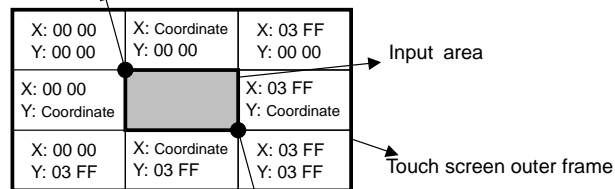


Off Set	bmRequest Type	bRequest	wValue	wIndex	wLength	Data
1	C0h	0Eh	P00 X Raw	0000h	0002h	0600h/1500h
2	C0h	0Eh	P00 Y Raw	0000h	0002h	0600h/1500h
3	C0h	0Eh	P00 X Cal	0000h	0002h	0600h/1500h
4	C0h	0Eh	P00 Y Cal	0000h	0002h	0600h/1500h
5	C0h	0Eh	P01 X Raw	0000h	0002h	0600h/1500h
6	C0h	0Eh	P01 Y Raw	0000h	0002h	0600h/1500h
7	C0h	0Eh	P01 X Cal	0000h	0002h	0600h/1500h
8	C0h	0Eh	P01 Y Cal	0000h	0002h	0600h/1500h
9	C0h	0Eh	P10 X Raw	0000h	0002h	0600h/1500h
10	C0h	0Eh	P10 Y Raw	0000h	0002h	0600h/1500h
11	C0h	0Eh	P10 X Cal	0000h	0002h	0600h/1500h
12	C0h	0Eh	P10 Y Cal	0000h	0002h	0600h/1500h
13	C0h	0Eh	P11 X Raw	0000h	0002h	0600h/1500h
14	C0h	0Eh	P11 Y Raw	0000h	0002h	0600h/1500h
15	C0h	0Eh	P11 X Cal	0000h	0002h	0600h/1500h
16	C0h	0Eh	P11 Y Cal	0000h	0002h	0600h/1500h
17	C0h	0Eh	PCT X Raw	0000h	0002h	0600h/1500h
18	C0h	0Eh	PCT Y Raw	0000h	0002h	0600h/1500h
19	C0h	0Eh	PCT X Cal	0000h	0002h	0600h/1500h
20	C0h	0Eh	PCT Y Cal	0000h	0002h	0600h/1500h
21	C0h	0Eh	03FFh	0000h	0002h	0600h/1500h
22	C0h	0Eh	03FFh	0000h	0002h	0600h/1500h

§ Handling of outside the coordinate range

If a portion only of the touch screen is to be operated, some calibration may cause the touch screen input points even inside the input area to be located outside the maximum coordinate point (or minimum coordinate point). Where, touch screen input is not disabled and the following data is transmitted.

Minimum coordinate value (X = 00 00, Y= 00 00)



Maximum coordinate value (X = 03 FF, Y= 03 FF)

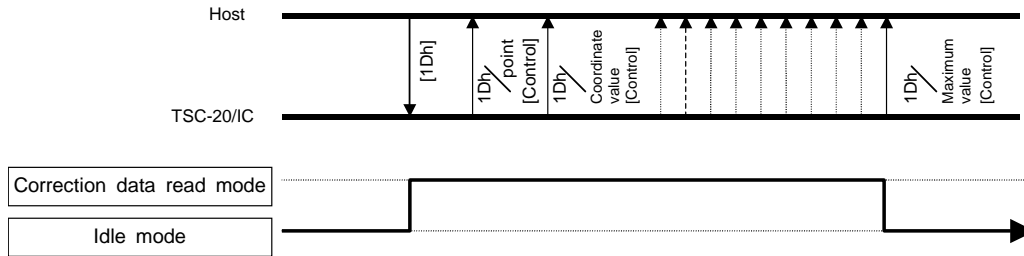
5-5. Calibration data read mode

In this mode, data set in the calibration data setup mode is read from EEPROM, used to check the parameter setting.

This mode is executed from idle mode to transmit the stored calibration data, then the operation automatically transitions to idle mode. If no calibration data is stored in EEPROM, none is output.

Note) In this mode, number of calibration points is treated with 25 point (X=5, Y=5) format, since FIT-10/IC, a touch screen controller IC, supports the maximum 25 point calibration function and protocol compatibility in the serial mode shall be kept with FIT-10/IC. Coordinate data of calibration points not supported by IC are all output with 0000h.

§ Mode transition



§ Calibration data send format

In the idle mode, if 1Dh is received, calibration data is output to the host as response data to IN token with the following format.

In the calibration data setup mode, if setup mode start 2 (bRequest= 0Eh) is used, data is converted to nine point calibration (X=3, Y=3) for setup mode start 1 (0Dh) then stored, thus if output to the host, it uses nine point calibration format.

Correction points (5×5)

P00	P01	P02	P03	P04
P10	P11	P12	P13	P14
P20	P21	P22	P23	P24
P30	P31	P32	P33	P34
P40	P41	P42	P43	P44

Off Set	bmRequest Type	bRequest	wValue	wIndex	wLength	Data
0	C0h (IN)	1Dh	0000h	0000h	0002h	X/Y Point
1	C0h (IN)	1Dh	0000h	0000h	0008h	P00 X/Y
2	C0h (IN)	1Dh	0000h	0000h	0008h	P01 X/Y
3	C0h (IN)	1Dh	0000h	0000h	0008h	P02 X/Y
4	C0h (IN)	1Dh	0000h	0000h	0008h	P03 X/Y
5	C0h (IN)	1Dh	0000h	0000h	0008h	P04 X/Y
6	C0h (IN)	1Dh	0000h	0000h	0008h	P10 X/Y
⋮						
21	C0h (IN)	1Dh	0000h	0000h	0008h	P40 X/Y
22	C0h (IN)	1Dh	0000h	0000h	0008h	P41 X/Y
23	C0h (IN)	1Dh	0000h	0000h	0008h	P42 X/Y
24	C0h (IN)	1Dh	0000h	0000h	0008h	P43 X/Y
25	C0h (IN)	1Dh	0000h	0000h	0008h	P44 X/Y
26	C0h (IN)	1Dh	0000h	0000h	0004h	X/Y Max

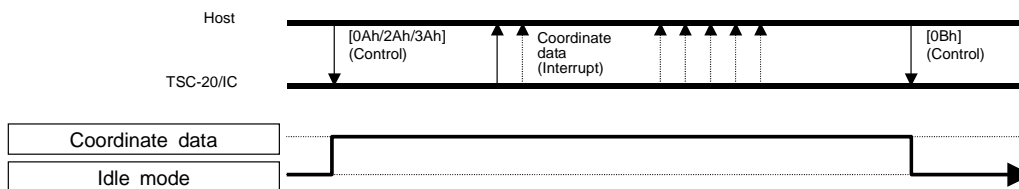
5-6. Calibration data mode

In this mode, based on calibration value obtained from the calibration data setup mode, coordinate value is corrected and output. In this mode, maximum output coordinate value can be limited.

From the idle mode, this mode starts by receiving either command of coordinate data send start 1 – 3, and returns to the idle mode by receiving the calibration data send end command. By receiving “reset” command, the mode transition to the initialization mode.

At the touch screen input (when a finger or pen touches on the touch screen), coordinate data, including pen-down ID indicating that touch screen is input, is output to the host with coordinate output rate interval. If the touch screen input ends (when a finger or pen leaves the touch screen), in the serial mode, pen-up ID of 1byte is output, or in the USB mode, coordinate data including pen-up ID is output (excluding the point mode).

§ Mode transition



§ Command

Mode	bmRequest Type	bRequest	wValue	wIndex	wLength	Data
Calibration data send start 1	40h (OUT)	0Ah	0000h	0000h	0000h	-
Calibration data send start 2	40h (OUT)	2Ah	0000h	0000h	0000h	-
Calibration data send start 3	40h (OUT)	3Ah	0000h	0000h	0000h	-
Calibration data send end	C0h (IN)	0Bh	0000h	0000h	0002h	0600h

§ Mode function

Mode	Function
Calibration data send start 1	Pen-down: Coordinate data including pen-down ID is output with the coordinate output rate interval. Pen-up: Pen-up ID is output one time. No input: No transition to the power-save mode.
Calibration data send start 2	Pen-down: Coordinate data including pen-down ID is output with the coordinate output rate interval. Pen-up: Coordinate data including pen-up ID is output with the coordinate output rate interval. No input: No transition to the power-save mode.
Calibration data send start 3	Pen-down: Coordinate data including pen-down ID is output with the coordinate output rate interval. Pen-up: Pen-up ID is output one time. No input: No transition to the power-save mode.
Calibration data send end	Coordinate data mode ends and transition to the idle mode occurs.

§ Data description

Pen-down data

	Meaning	b7	b6	b5	b4	b3	b2	b1	b0
Byte 0	Pen Down ID	SW0	SW1	0	1	0	0	0	1
Byte 1	X Lower	X7	X6	X5	X4	X3	X2	X1	X0
Byte 2	X Upper	0	0	0	0	0	0	X9	X8
Byte 3	Y Lower	Y7	Y6	Y5	Y4	Y3	Y2	Y1	Y0
Byte 4	Y Upper	0	0	0	0	0	0	Y9	Y8

Pen-up data

	Meaning	b7	b6	b5	b4	b3	b2	b1	b0
Byte 0	Pen Up ID	SW0	SW1	0	1	0	0	0	0
Byte 1	X Lower	X7	X6	X5	X4	X3	X2	X1	X0
Byte 2	X Upper	0	0	0	0	0	0	X9	X8
Byte 3	Y Lower	Y7	Y6	Y5	Y4	Y3	Y2	Y1	Y0
Byte 4	Y Upper	0	0	0	0	0	0	Y9	Y8

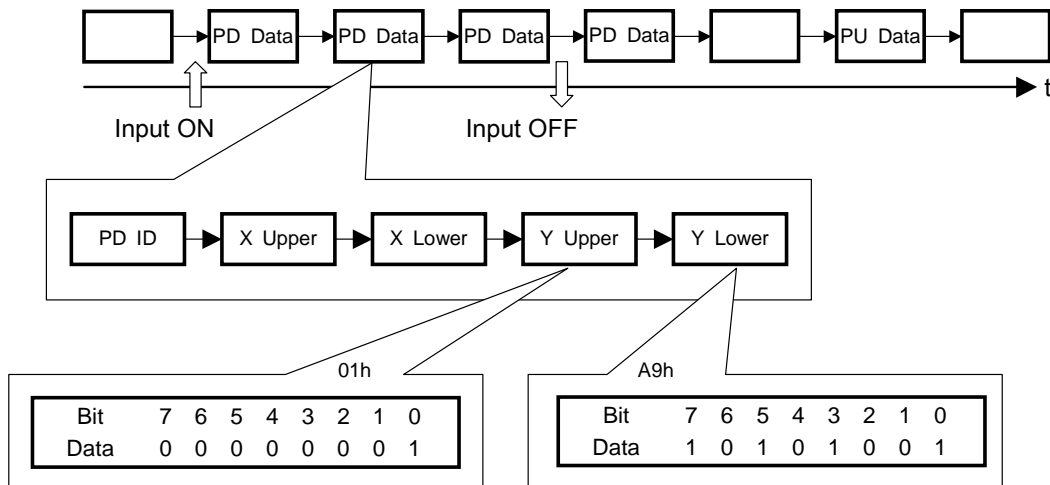
List of pen-down ID (pen-down data Byte 0)

ID	SW0	SW1
11h	0	0
51h	0	1
91h	1	0
D1h	1	1

List of pen-up ID (pen-up data Byte 0)

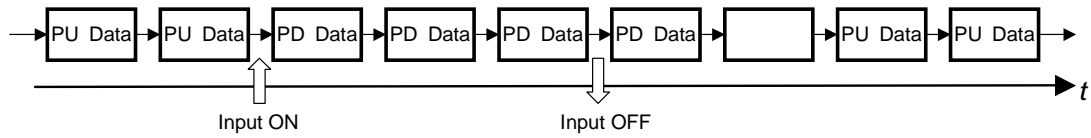
ID	SW0	SW1
10h	0	0
50h	0	1
90h	1	0
D0h	1	1

§ Example of data ((transmission starts by receiving 0Ah) or [3Ah]) (Where, X = 0374h and Y = 01A9h)



Immediately after Pen-up, if the first sampling is pen-up, immediately preceding pen-down data is output. If second time sampling is pen-up, none is output. If third time sampling is pen-up, pen-up data is output once.

§ Example of Data (transmission starts by receiving [2Ah])



*: Immediately after Pen-up, if the first sampling is pen-up, immediately preceding pen-down data is output. If second time sampling is pen-up, none is output. If third time sampling is pen-up, pen-up data is output. Thereafter, pen-up data is output at the coordinate output rate interval. Coordinate value at pen-up always takes same coordinate value as the last pen-down data. After the coordinate data mode transition until the first pen-down, 0000h is output.

5-7. Panel ID/mode information acquisition

This function is used to obtain panel ID in the USB mode, current transition mode, and used/unused status information of SW0, SW1 and EEPROM. It is used to know the current operation status. This function is available in initialization mode, idle mode, coordinate data mode and calibration data mode.

Panel ID is enabled by releasing hardware reset. Thus, if, after hardware reset, pin information was changed, restart the power or reset hardware to enable the setting.

Mode information always outputs the last command. Therefore, be sure that even in the idle mode, output data differs per last command.

This function is used to check panel ID, current mode used/unused status of SW0, SW1 and EEPROM.

§ Command

bmRequest Type	bRequest	wValue	wIndex	wLength	Data	Command enabled mode
C0h (IN)	15h	0000h	0000h	0002h	Value*	Initialization mode Idle mode Coordinate (calibration) data mode

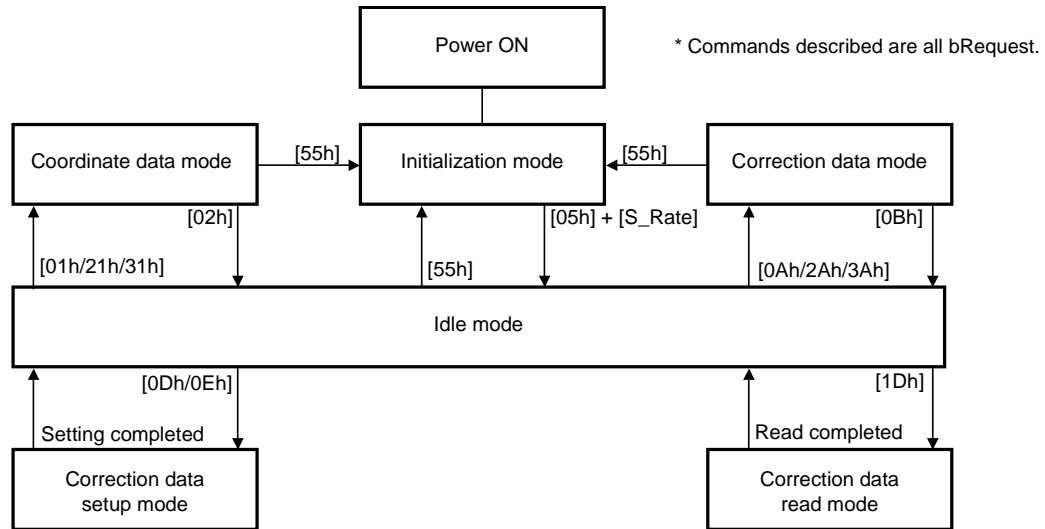
*: Refer to detailed output data description.

§ Output data description

Data content: Byte 1 (Upper bits: b15 - b8) includes the transition mode information, and byte 2 (lower bits: b7 - b0) outputs the setting information. In USB mode, b4 is fixed to "1".

Bit	Bit information	
b0	Fixed to "0"	
b1	Panel ID (pin number 3)	"1" = PID 1 "0" = PID 0
b2	SW1 (pin number 28)	"1" = SW ON "0" = SW OFF
b3	SW0 (pin number 29)	"1" = SW ON "0" = SW OFF
b4	USB/RS (pin number 25)	"1" = USB "0" = RS
b5	Fixed to "0"	
b6	Fixed to "1"	
b7	SEL4/EEP-CS (pin number 16)	"1" = EEPROM Unused "0" = EEPROM Used
b8-15	Transition mode information	
	00h: initialization mode	
	05h: idle mode (immediately preceding command sets the coordinate output rate)	
	01h: coordinate data mode start 1	
	21h: coordinate data mode start 2	
	31h: coordinate data mode start 3	
	02h: idle mode (immediately preceding command is 02h)	
	0Ah: calibration data mode start 1	
	2Ah: calibration data mode start 2	
	3Ah: calibration data mode start 3	
	0Bh: idle mode (immediately preceding command is 0Bh)	

5-8. Mode list



5-9. Command list

bmRequest Type	bRequest	wValue	wIndex	wLength	DATA	Command name
40h (OUT)	00h	0000h	0000h	0000h	Unused	Null
C0h (IN)	05h	Value	0000h	0002h	Used	Coordinate output rate setting
40h (OUT)	01h	0000h	0000h	0000h	Unused	Coordinate data send start 1
40h (OUT)	21h	0000h	0000h	0000h	Unused	Coordinate data send start 2
40h (OUT)	31h	0000h	0000h	0000h	Unused	Coordinate data send start 3
C0h (IN)	02h	0000h	0000h	0002h	Used	Coordinate data send end
40h (OUT)	0Ah	0000h	0000h	0000h	Unused	Calibration data send start 1
40h (OUT)	2Ah	0000h	0000h	0000h	Unused	Calibration data send start 2
40h (OUT)	3Ah	0000h	0000h	0000h	Unused	Calibration data send start 3
C0h (IN)	0Bh	0000h	0000h	0002h	Used	Calibration data send end
C0h (IN)	0Dh	Value	0000h	0002h	Used	Calibration data setup (1)
C0h (IN)	0Eh	Value	0000h	0002h	Used	Calibration data setup (2)
C0h (IN)	1Dh	0000h	0000h	0002h/ 0004h/ 0008h	Used	Calibration data read wLength: 206bytes in total
C0h (IN)	55h	0000h	0000h	0002h	Used	Reset
C0h (IN)	15h	0000h	0000h	0002h	Used	Panel ID/ mode information retrieval

§ Wait after issuing command

After issuing the following commands, wait as specified before issuing the next command.

Command name	USB command (bRequest)	Wait time
Reset	55h	6ms
Calibration data setup (1)	0Dh	300ms after issuing last data
Calibration data setup (2)	0Eh	300ms after issuing last data
Calibration data read	1Dh	0ms after reading last data (no wait required)

6. MODIFICATIONS & IMPROVEMENTS

6-1. Version History

48-B-5-06 and 48-B-5-07

Rev. 1.0 October 12,2006 First Edition

7. Warranty

7-1. Warranty Period

- § The warranty period is limited to 1 year from the date of shipping. The warranty for the initial defection such as appearance defection is limited to 1 month.
- § Any defected parts under proper use will be examined by the supplier and replaced by the new parts if the defection is considered to be caused by the supplier.
- § The replacement is subject to be included in the next lot.

7-2. Warranty Target

- § The warranty only covers the product itself and does not cover any damage to others caused by using this product. Onsite repair or replacement is not supported.
- § We will do our best for delivery problem and product defections, but the warranty for the production line is not covered.

7-3. Warranty Exceptions

Following conditions are not covered with the warranty and subject to charge.

- § Any malfunctions and damages during transportation and transfer by the user.
- § Any malfunctions and damages caused by a natural disaster or a fire.
- § Any malfunctions and damages caused by static electricity
- § Any malfunctions and damages caused by the failure of the associated equipment.
- § If the product is remodeled, disassembled or repaired by the user.
- § If the product is glued onto the equipment and uninstalled.
- § Any malfunctions and damages caused by an improper usage and handling against the specifications and notes.

8. PRECAUTIONS FOR USE

8-1 General cautions

- § Do not place any conductive materials like metals closer to 48-B-5-06series.
- § Do not touch any metal part of 48-B-5-06 and 48-B-5-07as it may be damaged by static electricity. Use untistatic table in case of touching it by hand.
- § Keep 48-B-5-06 and 48-B-5-07 in a carton box without any other abnormal loading pressure under storage temperature and humidity environment.
- § 48-B-5-06 and 48-B-5-07should not be used or stored under environments as below:
 - Wet (or may wet) environments.
 - Condensation (or likely to occur condensation)
 - Organic solvent or acidic substance environments.
- § Re-modeling or disassemble is your own risk.

8-2 Others

- § This specification is subject to change for improvements without prior notice.
- § TOUCH INTERNATIONAL is not responsible for any damage or loss caused by use of 48-B-5-06 and 48-B-5-07.
- § 48-B-5-06 and 48-B-5-07 are designed for general purpose (such as office use, industrial machines, communication equipments and home appliances). It should NOT be used for the application where any irregular operation may harm or damage to human or any special purposes which require higher reliability such as medical, aerospace and nuclear equipments).
- § Please pay careful attention to safety guard when designing your products to avoid accidental death, fire or any social damages.

48-B-5-06 and 48-B-5-07 User's Guide
Rev. 1.0, October 12, 2006
©2005-2006 Touch International, Inc.

Reprint of this user guide may be permitted upon request but not allowed to revise this user guide.

Touch International, Inc.
<http://www.touchinternational.com>

Touch International
2222 West Rundberg Lane, Suite 100
Austin, TX 78758
T. 512.832.8292
F. 512.832.8291