



## 15.6 Open Frame Monitor

The new OFM Series Open Frame Touch Monitors provide a drop-in, completely integrated, industrial solution. Standard configurations come ready to plug-and-play right out of the box. Multiple video inputs and USB-powered touch screen allow for easy implementation in your enclosure. To further maximize ease of integration we have two VESA mounting options on the rear and adjustable side mounting flanges. The black powder coated steel enclosure provides the fit and finish of a custom product with the strength and durability to protect your investment for years of worry free operation.

### Standard Configuration

- Industrial-Grade LCD
- Multi-Touch Capacitive Sensor (G/G)
- Optically Bonded
- HDMI/DVI/VGA Input
- Powder Coated Steel Housing
- Rear VESA Mounts
- Adjustable Flange Side-Mounts
- USB Plug-And-Play Windows 7+
- Cables Included

### Customizable Features

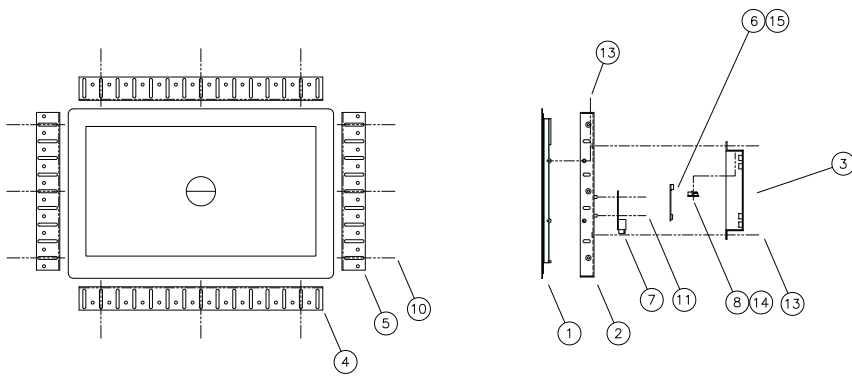
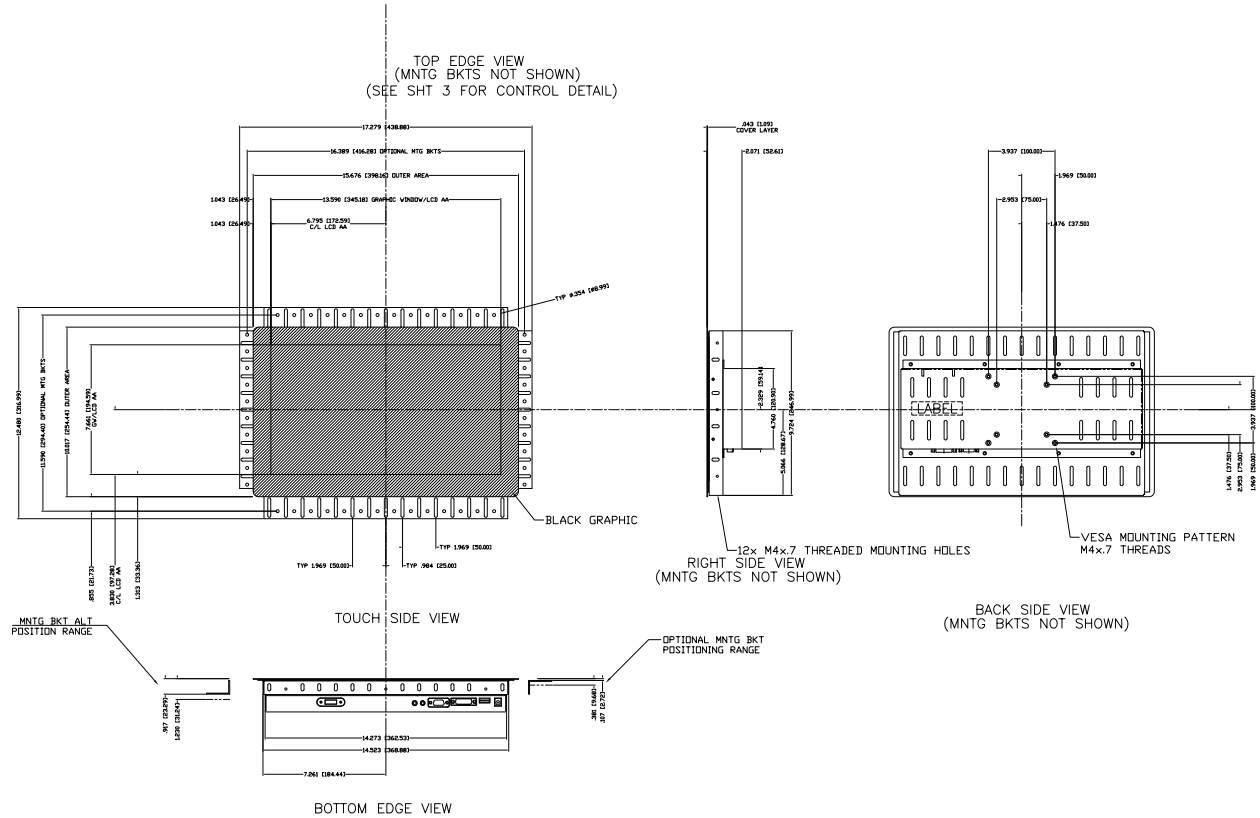
- Sunlight Readable / Superbright / NVIS
- SBC / Media Integration
- Custom Cover Glass and Graphics
- Fresh and Salt Water Resistant Touch
- Gloved Touch
- Ruggedization

#### APPLICATIONS

- Aerospace
- Medical
- Military
- Industrial
- Transportation
- Retail & Public Use

### Specifications

DISPLAY	Size	15.6"
	Pixel Pitch	0.17925 mm x 0.17925 mm
	Resolution	1920 x 1080
	Viewing Angle	178° H / 178° V
	Brightness	400 nits
	Support Color	16.7 million
	Response Time	35 ms
	Contrast Ratio	1500 : 1
	Aspect Ratio	16 : 9
	TOUCH SCREEN	Technology
Response Time		5 ms
SYSTEM	Connectivity	HDMI, VGA, DVI
OPERATING ENVIRONMENT	Temperature	-20° to 80° C
PHYSICAL	Enclosure Type	Open Frame
	Mounting Holes	4 Side Mount Holes
	Frame Type	Powder-coated Steel
	Weight	8.3 lbs
WARRANTY		1 yr Parts & Labor



A/R	ITEM NO	PART NUMBER	DESCRIPTION
1	14	1500256	LOCTITE 262
1	14	1600297	TAPE, VHB
10	13	HAWSCRO27	SCREW, M3x.5 x 4mm, PHIL FLAT HEAD
2	12	HANNI7028	NUT, M3x.5
4	11	HAWSCRO24	SCREW, M3x.5 x 3mm LG, PHIL PAN HEAD
12	10	HAWSCRO26	SCREW, M4x.7 x 5mm LG, PHIL PAN HEAD
1	9	13T0008	CABLE, 30cm, USB MINI TO USB (NOT PICTURED)
1	8	89T-PCB-OSD-07	PCB, OSD BOARD
1	7	89-PCB-HDMI-03	CONTROLLER, VIDEO
1	6	89-PCB-PMC-47	CONTROLLER, STD, PCAP, PACB, USB/2C
2	5	1200031	BKT, MTC, OFM, 15", "Y" AXIS
2	4	1200030	BKT, MTC, OFM, 15", "X" AXIS
1	3	1200029	COVER, OFM, 15"
1	2	1200028	CHASSIS, OFM, 15"
1	1	67T-F-PMC-156-001	LCD BOND ASSY, SNDR PCAP 15.6 DIAG

DO NOT SCALE DRAWING

UNLESS OTHERWISE SPECIFIED, DIMENSIONS ARE IN INCHES. REMOVE ALL BURRS AND BREAK SHARP EDGES.

DEC. TOLERANCE:  
 .XXX = ± .050 UNL  
 .XXXX = ± .020 UNL  
 .XXXXX = ± .015 UNL  
 .XXXXXX = ± .008 UNL

NOTICE OF PROPRIETARY RIGHTS  
 THIS DOCUMENT, AND THE INFORMATION IT CONTAINS, IS PROPRIETARY TO TOUCH INTERNATIONAL. IT MUST NOT BE REPRODUCED, OR ITS CONTENTS USED OR DISCLOSED IN WHOLE OR IN PART, WITHOUT WRITTEN PERMISSION FROM TOUCH INTERNATIONAL.

TOUCH INTERNATIONAL  
 2222 West Rundberg Ln #100  
 Austin, Texas 78758  
 512-832-8292

TITLE: OPEN FRAME MONITOR, 15.6" DIAG

SCALE: NTS  
 SIZE: PART NO. / DWG. NO.  
 SHEET 1 OF 1