



## 15.6 Open Frame Monitor

The new OFM Series Open Frame Touch Monitors provide a drop-in, completely integrated, industrial solution. Standard configurations come ready to plug-and-play right out of the box. Multiple video inputs and USB-connected touch screen allow for easy implementation in your enclosure. To further maximize ease of integration we have two VESA mounting options on the rear and adjustable side mounting flanges. The black powder coated steel enclosure provides the fit and finish of a custom product with the strength and durability to protect your investment for years of worry free operation.

### Standard Configuration

- Industrial-Grade LCD
- Multi-Touch Capacitive Sensor (G/G)
- Optically Bonded
- HDMI/DVI/VGA Input
- Powder Coated Steel Housing
- Rear VESA Mounts
- Optional Adjustable Flange Side-Mounts
- USB Plug-And-Play Windows 7+
- Power, Video, Touch Communication Cables Included

### Customizable Features

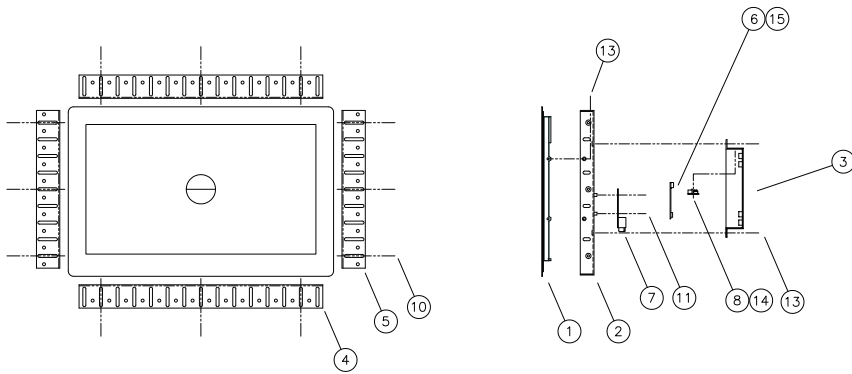
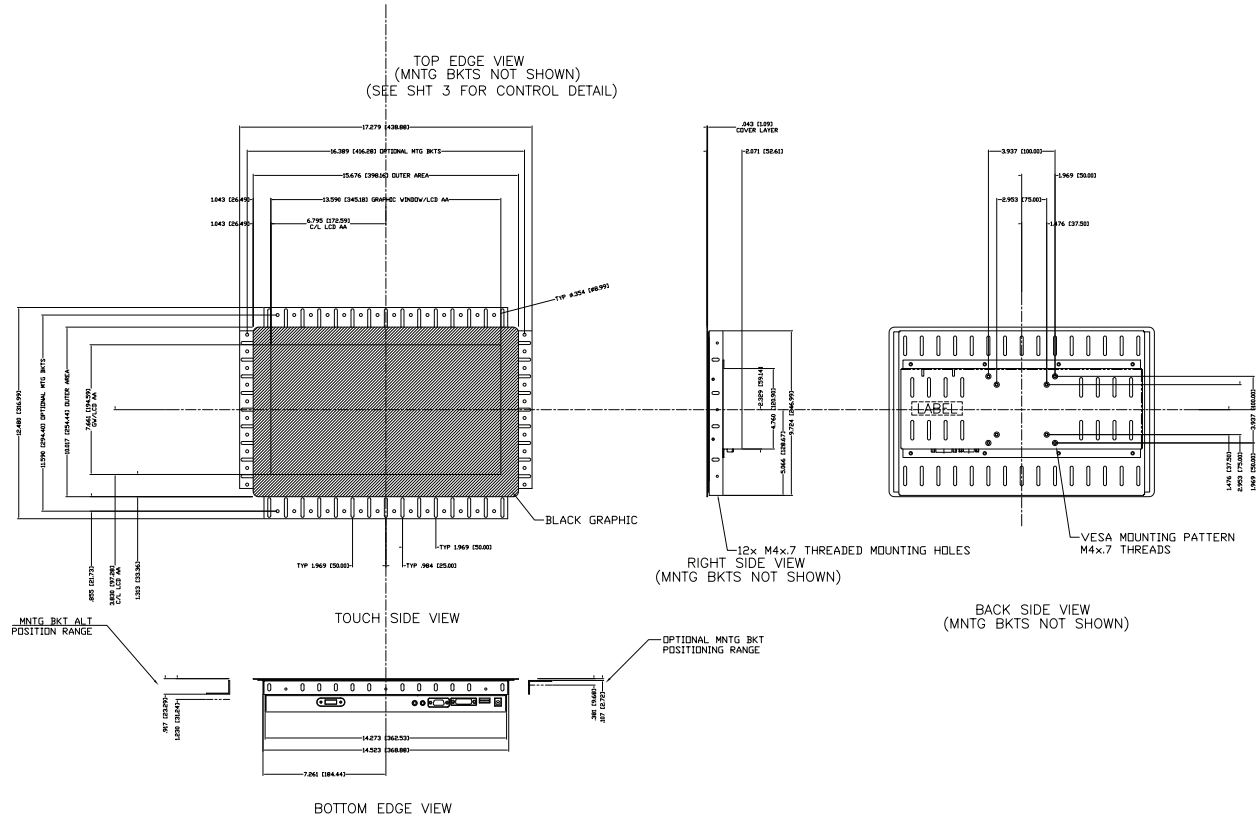
- Sunlight Readable / Superbright / NVIS
- Android / Windows Integration
- Custom Cover Glass and Graphics
- Water Resistant Multi-touch
- Gloved Touch
- Ruggedization

#### APPLICATIONS

- Aerospace
- Medical
- Military
- Industrial
- Transportation
- Retail & Public Use

### Specifications

|                       |                  |                                  |
|-----------------------|------------------|----------------------------------|
| DISPLAY               | Size             | 15.6"                            |
|                       | Pixel Pitch      | 0.17925 mm x 0.17925 mm          |
|                       | Resolution       | 1920 x 1080                      |
|                       | Viewing Angle    | 178° H / 178° V                  |
|                       | Brightness       | 400 nits                         |
|                       | Support Color    | 16.7 million                     |
|                       | Response Time    | 35 ms                            |
|                       | Contrast Ratio   | 1500 : 1                         |
|                       | Aspect Ratio     | 16 : 9                           |
| TOUCH SCREEN          | Technology       | Projected Capacitive Multi-touch |
|                       | Response Time    | 5 ms                             |
| SYSTEM                | Connectivity     | HDMI, VGA, DVI                   |
| OPERATING ENVIRONMENT | Temperature      | -20° to 80° C                    |
| PHYSICAL              | Enclosure Type   | Open Frame                       |
|                       | Mounting Options | Rear VESA, Optional Side Flanges |
|                       | Frame Type       | Powder-coated Steel              |
|                       | Weight           | 8.3 lbs                          |
|                       | WARRANTY         |                                  |



| A/R | ITEM NO | PART NUMBER       | DESCRIPTION                                 |
|-----|---------|-------------------|---|
| 1   | 14      | 1500256           | LOCTITE 262                                 |
| 1   | 14      | 1600297           | TAPE, VHB                                   |
| 10  | 13      | HAWSCRO27         | SCREW, M3x.5 x 4mm, PHIL FLAT HEAD          |
| 2   | 12      | HANNI7008         | NUT, M3x.5                                  |
| 4   | 11      | HAWSCRO24         | SCREW, M3x.5 x 3mm LG, PHIL PAN HEAD        |
| 12  | 10      | HAWSCRO26         | SCREW, M4x.7 x 5mm LG, PHIL PAN HEAD        |
| 1   | 9       | 13T0008           | CABLE, 30cm, USB MINI TO USB (NOT PICTURED) |
| 1   | 8       | 89T-PCB-OSD-07    | PCB, OSD BOARD                              |
| 1   | 7       | 89-PCB-HDMI-03    | CONTROLLER, VIDEO                           |
| 1   | 6       | 89-PCB-PMC-47     | CONTROLLER, STD, PCAP, PACB, USB/2C         |
| 2   | 5       | 1200031           | BKT, MTC, OFM, 15", "Y" AXIS                |
| 2   | 4       | 1200030           | BKT, MTC, OFM, 15", "X" AXIS                |
| 1   | 3       | 1200029           | COVER, OFM, 15"                             |
| 1   | 2       | 1200028           | CHASSIS, OFM, 15"                           |
| 1   | 1       | 67T-F-PMC-156-001 | LCD BOND ASSY, SNDR PCAP 15.6 DIAG          |

DO NOT SCALE DRAWING

UNLESS OTHERWISE SPECIFIED, DIMENSIONS ARE IN INCHES. REMOVE ALL BURRS AND BREAK SHARP EDGES.

DEC. TOLERANCE:  
 .XXX = ± .050 UNL  
 .XXXX = ± .020 UNL  
 .XXXXX = ± .015 UNL  
 .XXXXXX = ± .008 UNL

NOTICE OF PROPRIETARY RIGHTS  
 THIS DOCUMENT, AND THE INFORMATION IT CONTAINS, IS PROPRIETARY TO TOUCH INTERNATIONAL. IT MUST NOT BE REPRODUCED, OR ITS CONTENTS USED OR DISCLOSED IN WHOLE OR IN PART, WITHOUT WRITTEN PERMISSION FROM TOUCH INTERNATIONAL.

TOUCH INTERNATIONAL  
 2222 West Rundberg Ln #100  
 Austin, Texas 78758  
 512-832-8292

TITLE: OPEN FRAME MONITOR, 15.6" DIAG

SCALE: NTS  
 SIZE: PART NO. / DWG. NO.  
 SHEET 1 OF 1