

OFX

OPEN FRAME TOUCH



89-OFM-STD-101-001

STANDARD CONFIGURATION

- Industrial-Grade LCD
- Multi-Touch Capacitive Sensor (G/G)
- Optically Bonded
- HDMI/DVI/VGA Input
- Powder Coated Steel Housing
- Rear VESA Mounts
- Optional Side Brackets
- USB Plug-And-Play Windows 7+
- Power, Video, Touch Communication Cables Included

CUSTOMIZABLE FEATURES

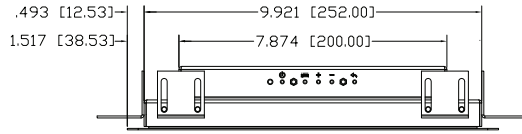
- Sunlight Readable / Superbright / NVIS
- Android / Windows Integration
- Custom Cover Glass and Graphics
- Water Resistant Multi-touch
- Gloved Touch
- Ruggedization

SPECIFICATIONS

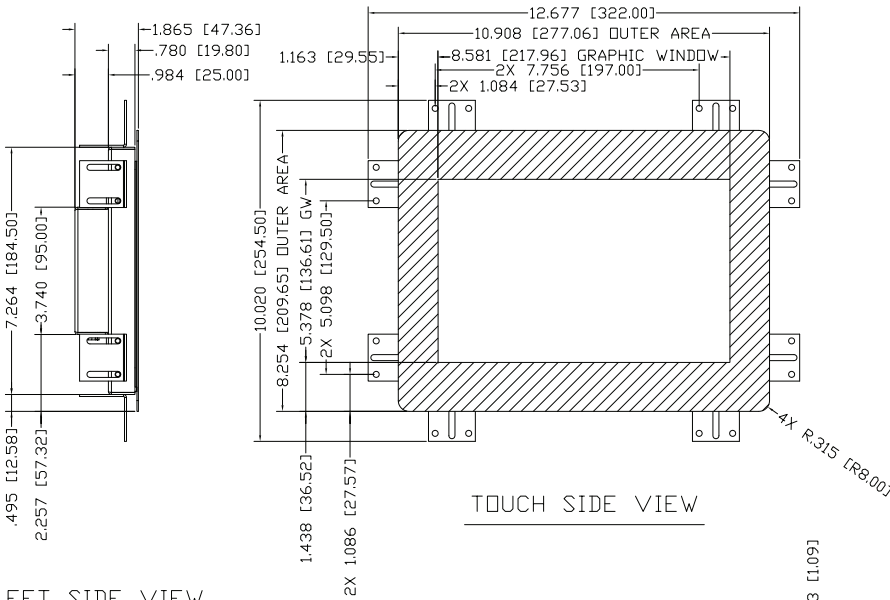
DISPLAY	
Size	10.1"
Pixel Pitch	0.1695 mm x 0.1695 mm
Resolution	1280 x 800
Viewing Angle	170° H / 170° V
Brightness	500 nits
Support Color	16.7 million
Response Time	25 ms
Contrast Ratio	1300 : 1
Aspect Ratio	16 : 10
TOUCH SCREEN	
Technology	Projected Capacitive Multi-touch
Response Time	< 10 ms
SYSTEM	
Connectivity	HDMI, VGA, DVI
OPERATING ENVIRONMENT	
Temperature	-20° to 70° C
PHYSICAL	
Enclosure Type	Open Frame
Mounting Options	Rear VESA, Optional Side Brackets
Frame Type	Powder-coated Aluminum
Weight	2.6 lbs
WARRANTY	
	1 yr Parts & Labor

APPLICATIONS

- Aerospace
- Medical
- Industrial
- Transportation
- Retail & Public Use



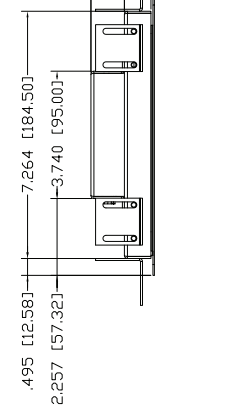
TOP VIEW



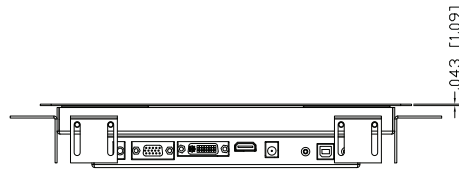
TOUCH SIDE VIEW



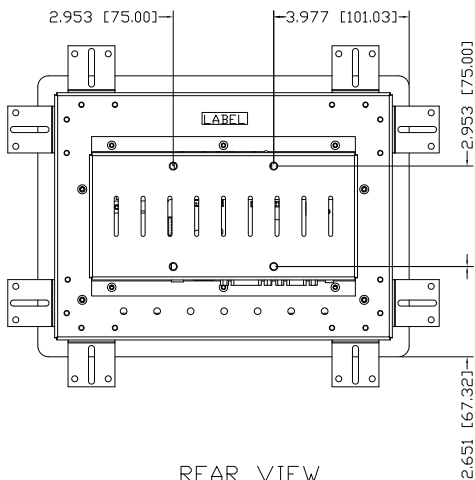
RIGHT SIDE VIEW



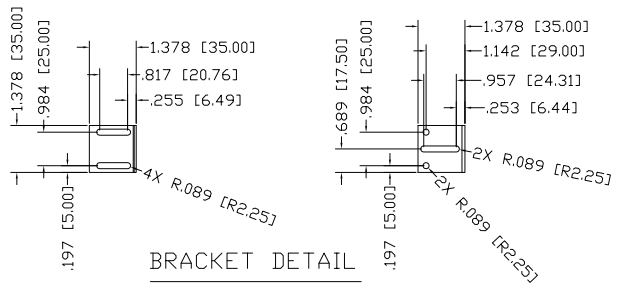
LEFT SIDE VIEW



BOTTOM VIEW



REAR VIEW



BRACKET DETAIL