

OFX

OPEN FRAME TOUCH



89-OFM-PMC-104-001

STANDARD CONFIGURATION

- Industrial-Grade LCD
- Multi-Touch Capacitive Sensor
- Optically Bonded
- HDMI/DVI/VGA Input
- Powder Coated Aluminum Housing
- Rear VESA Mounts
- Optional Side Brackets
- USB Plug-And-Play Windows 7+
- Power, Video, Touch Communication Cables Included

CUSTOMIZABLE FEATURES

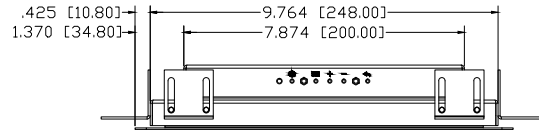
- Sunlight Readable / Night Vision (NVIS)
- Android / Windows Integration
- Custom Cover Glass and Graphics
- Water Resistant Multi-touch
- Gloved Touch
- Ruggedization

SPECIFICATIONS

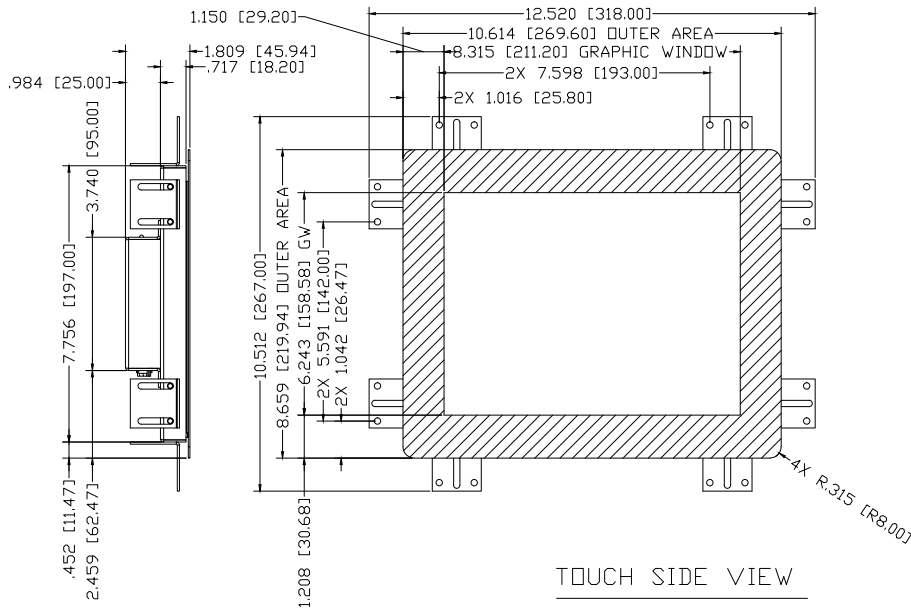
DISPLAY	
Size	10.4"
Pixel Pitch	0.2055 mm x 0.2055 mm
Resolution	1024 x 768
Viewing Angle	178° H / 178° V
Brightness	470 nits
Color Support	16.2 million
Response Time	30 ms
Contrast Ratio	3000 : 1
Aspect Ratio	4 : 3
TOUCH SCREEN	
Technology	Projected Capacitive Multi-touch
Response Time	< 10 ms
SYSTEM	
Connectivity	HDMI, VGA, DVI
OPERATING ENVIRONMENT	
Temperature	-30° to 80° C
PHYSICAL	
Enclosure Type	Open Frame
Mounting Options	Rear VESA, Optional Side Brackets
Frame Type	Powder-coated Aluminum
Weight	3.6 lbs
WARRANTY	1 yr Parts & Labor

APPLICATIONS

- Aerospace
- Medical
- Industrial
- Transportation
- Retail & Public Use



TOP VIEW

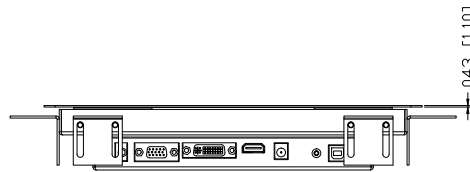


TOUCH SIDE VIEW

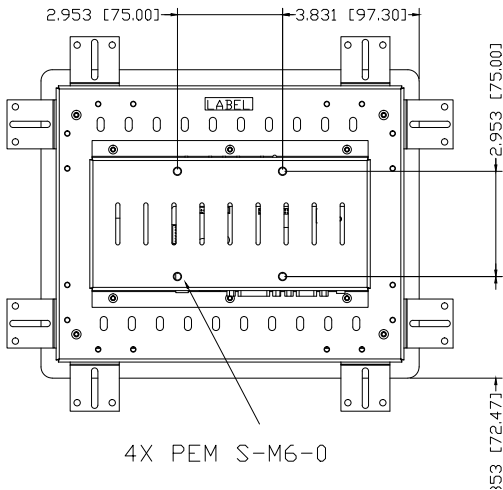


RIGHT SIDE VIEW

LEFT SIDE VIEW



BOTTOM VIEW



BRACKET DETAIL

