

OFX

SUNLIGHT READABLE

SPECIFICATIONS



89-OFM-SR-70-001

STANDARD CONFIGURATION

- Industrial-Grade LCD
- Multi-Touch Capacitive Sensor
- Optically Bonded
- HDMI/DVI/VGA Input
- Powder Coated Aluminum Housing
- Rear VESA Mounts
- Optional Side Brackets
- USB Plug-And-Play Windows 7+
- Power, Video, Touch Communication Cables Included

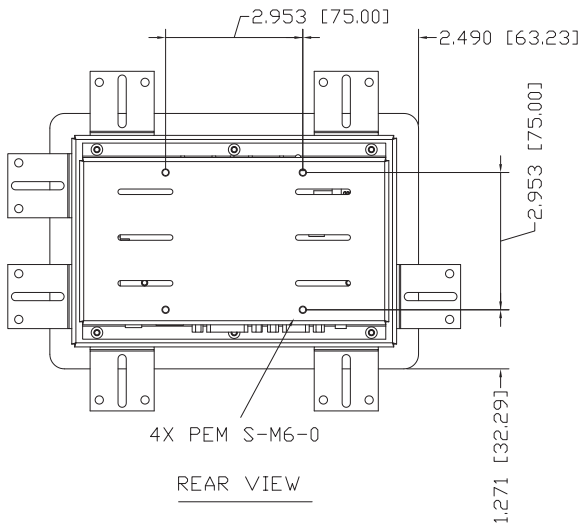
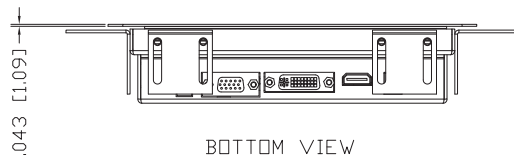
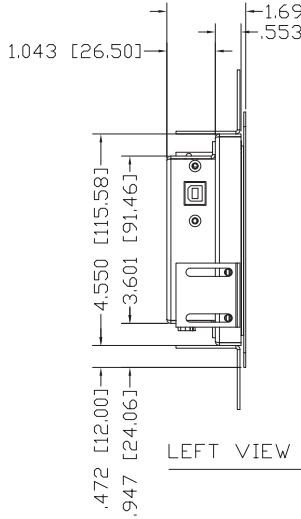
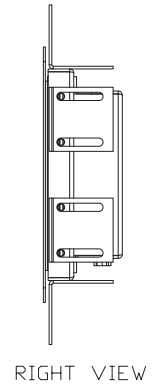
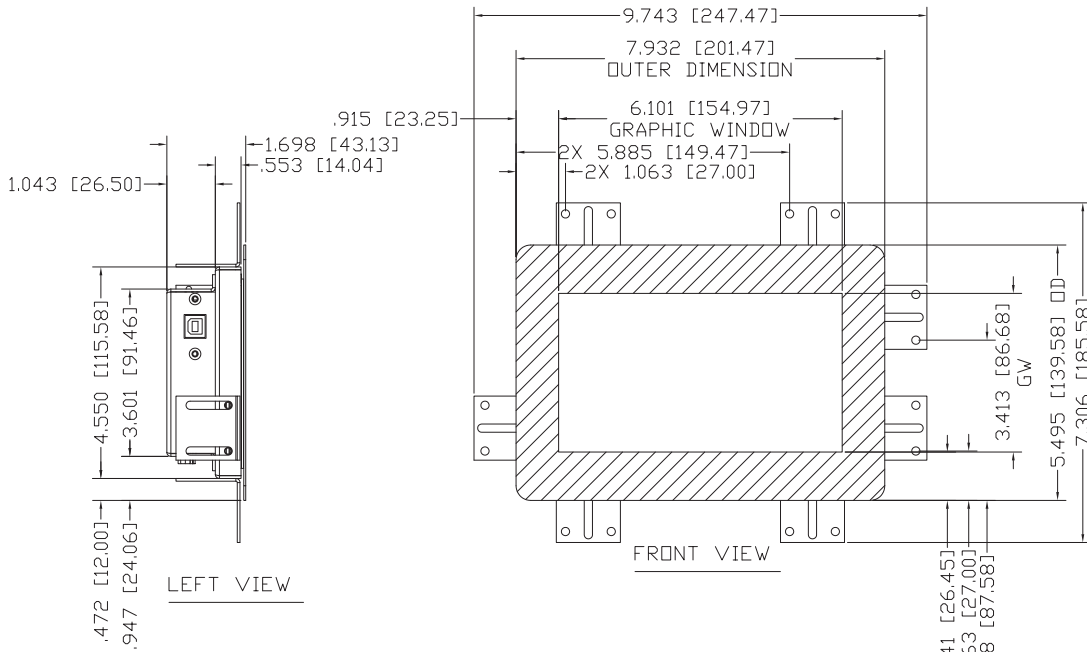
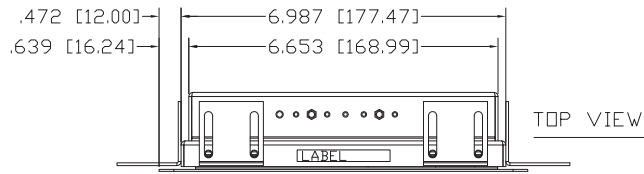
CUSTOMIZABLE FEATURES

- Night Vision (NVIS)
- Android / Windows Integration
- Custom Cover Glass and Graphics
- Water Resistant Multi-touch
- Gloved Touch
- Ruggedization

DISPLAY	
Size	7"
Pixel Pitch	0.150 mm x 0.143 mm
Resolution	1024 x 600
Viewing Angle	170° H / 170° V
Brightness	1200 cd/m2 (nits) Typical
Support Color	16.7 million
Response Time	30 ms
Contrast Ratio	800 : 1
Aspect Ratio	16 : 9
TOUCH SCREEN	
Technology	Projected Capacitive Multi-touch
Response Time	< 10 ms
SYSTEM	
Connectivity	HDMI, VGA, DVI
OPERATING ENVIRONMENT	
Temperature	-20° to +70° C
Humidity	90%RHmax,120hours
PHYSICAL	
Enclosure Type	Open Frame
Mounting Options	Rear VESA, Optional Side Brackets
Frame Type	Powder-coated Aluminum
Weight	1.3 lbs

APPLICATIONS

- Aerospace
- Medical
- Industrial
- Transportation
- Retail & Public Use



BRACKET DETAIL

