

# OFX

MEDICAL OPEN FRAME

## SPECIFICATIONS



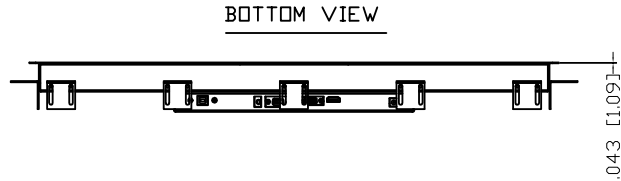
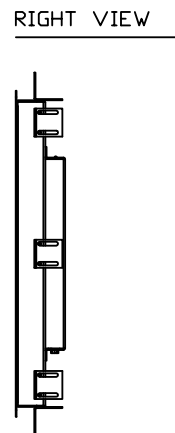
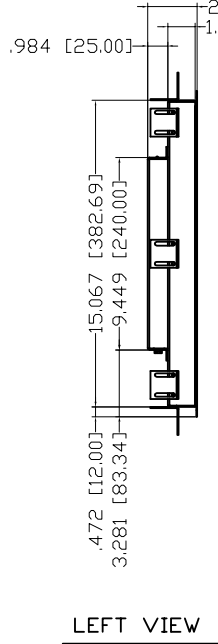
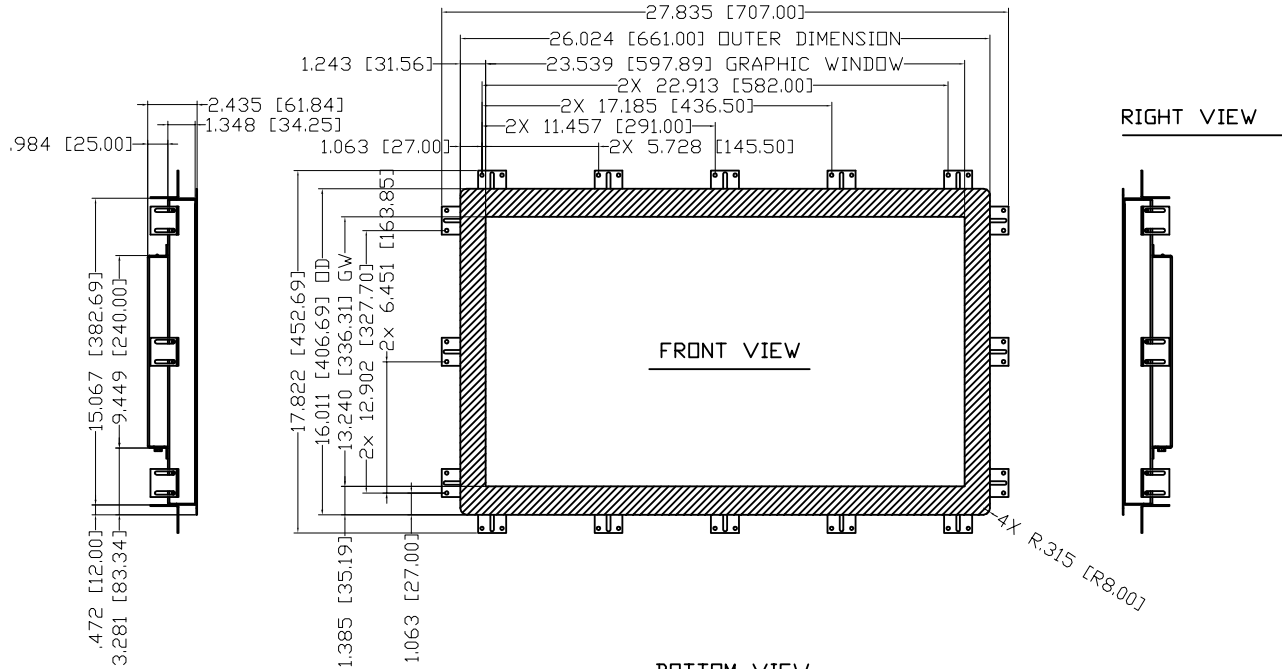
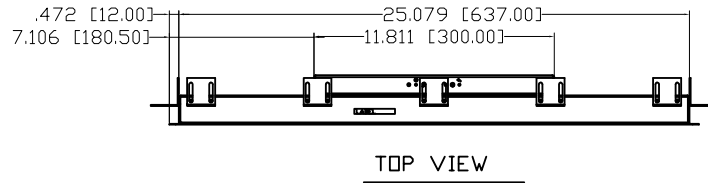
### 89-OFM-MED-270-001

The 27-inch medical open-frame monitor combines multi-touch PCAP technology, high-bright LED, and a 4K industrial-grade TFT display in a plug-and-play package with best-in-class performance. Optimized for medical applications requiring IEC 60601 / IEC 61010 Certification, it makes an excellent solution for the high-reliability healthcare market and can be customized to any application.

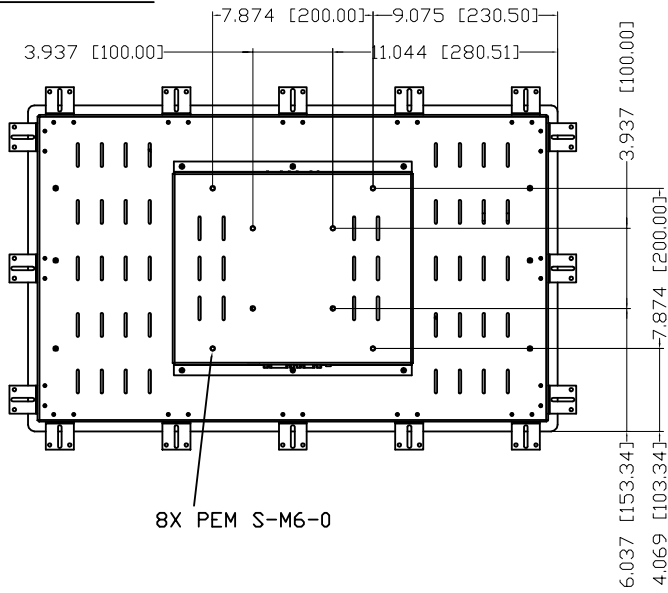
#### STANDARD FEATURES

- IEC 60601; IEC 61010 Compliant
- EMI Shielding & Faraday Housing
- Multi-Touch PCAP Sensor
- 2MM Impact Resistant Cover Glass
- Brushed Aluminum Chassis
- Full Optical Bond
- HDMI and DisplayPort
- Rear VESA Mounts
- USB Plug-And-Play Windows or Android
- Power, Video, Touch Communication Cables Included

| DISPLAY               |                                   |
|-----------------------|-----------------------------------|
| Size                  | 27"                               |
| Pixel Pitch           | 0.1554 mm x 0.1554 mm             |
| Resolution            | 3840 x 2160                       |
| Viewing Angle         | 178° H / 178° V                   |
| Brightness            | 1000 nits                         |
| Display Colors        | 1.07 billion (8 bit +A-FRC)       |
| Response Time         | 14 ms                             |
| Contrast Ratio        | 1000 : 1                          |
| Aspect Ratio          | 16:9                              |
| TOUCH SCREEN          |                                   |
| Technology            | Projected Capacitive Multi-touch  |
| Response Time         | < 10 ms                           |
| SYSTEM                |                                   |
| Connectivity          | HDMI x 2 , DisplayPort x 2        |
| OPERATING ENVIRONMENT |                                   |
| Temperature           | 0° to 50° C                       |
| Humidity [%RH]        | 80%RH                             |
| PHYSICAL              |                                   |
| Enclosure Type        | Open Frame                        |
| Mounting Options      | Rear VESA, Optional Side Brackets |
| Frame Type            | Aluminum                          |
| Weight                | 17.1 lbs                          |
| COMPLIANCE            |                                   |
| IEC60601-1, RoHS      |                                   |
| WARRANTY              |                                   |
| 1 yr Parts & Labor    |                                   |



REAR VIEW



BRACKET DETAIL

